

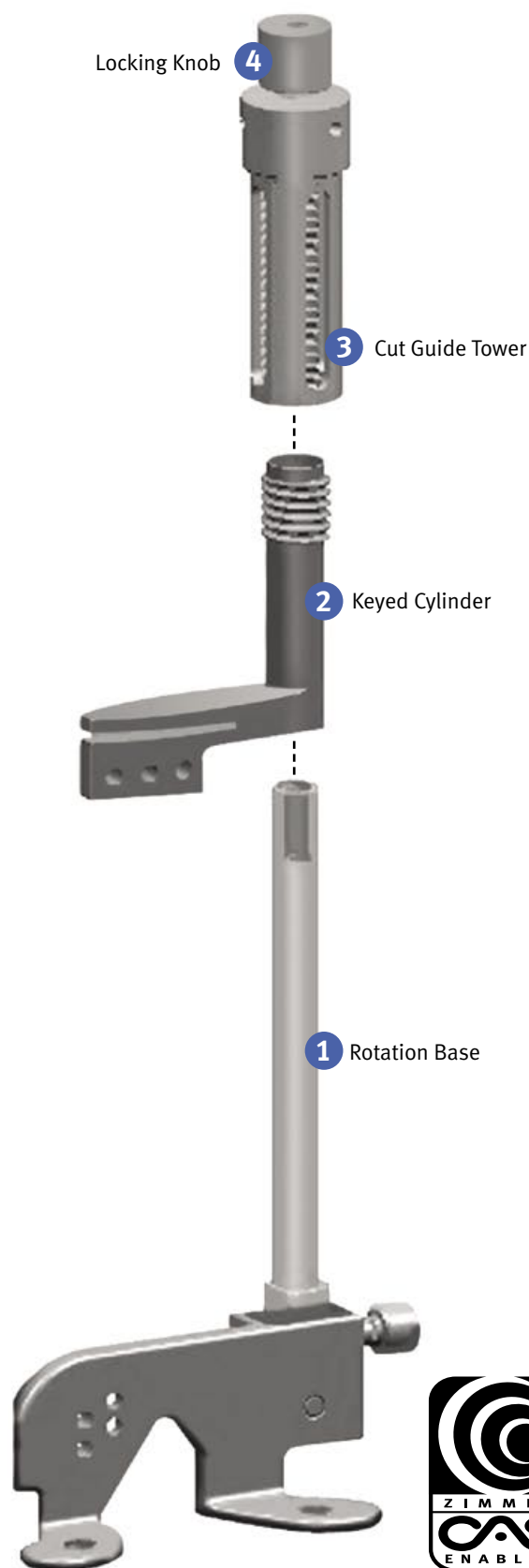


## Zimmer® Computer Assisted Solutions Instruments Assembly Card

External Rotation Cut Guide

### Assembly Instructions for the External Rotation Cut Guide

Thread the Cut Guide Tower **3** onto the Keyed Cylinder **2**. Slide Cut Guide Tower Assembly onto Rotation Base **1**. Screw Locking Knob **4** onto Rotation Base **1**. End of Assembly.



### Disassembly Instructions for the External Rotation Cut Guide

Unscrew the Locking Knob **4** from the Rotation Base **1**. Slide Cut Guide Tower Assembly off of the Rotation Base **1**. Unthread the Keyed Cylinder **2** from the Cut Guide Tower **3**. End of tear down.



To learn more about *Zimmer* Computer Assisted Solutions, The Zimmer Institute skills training program, or to arrange for a consultation, contact your Zimmer representative or visit us at [www.zimmer.com](http://www.zimmer.com).